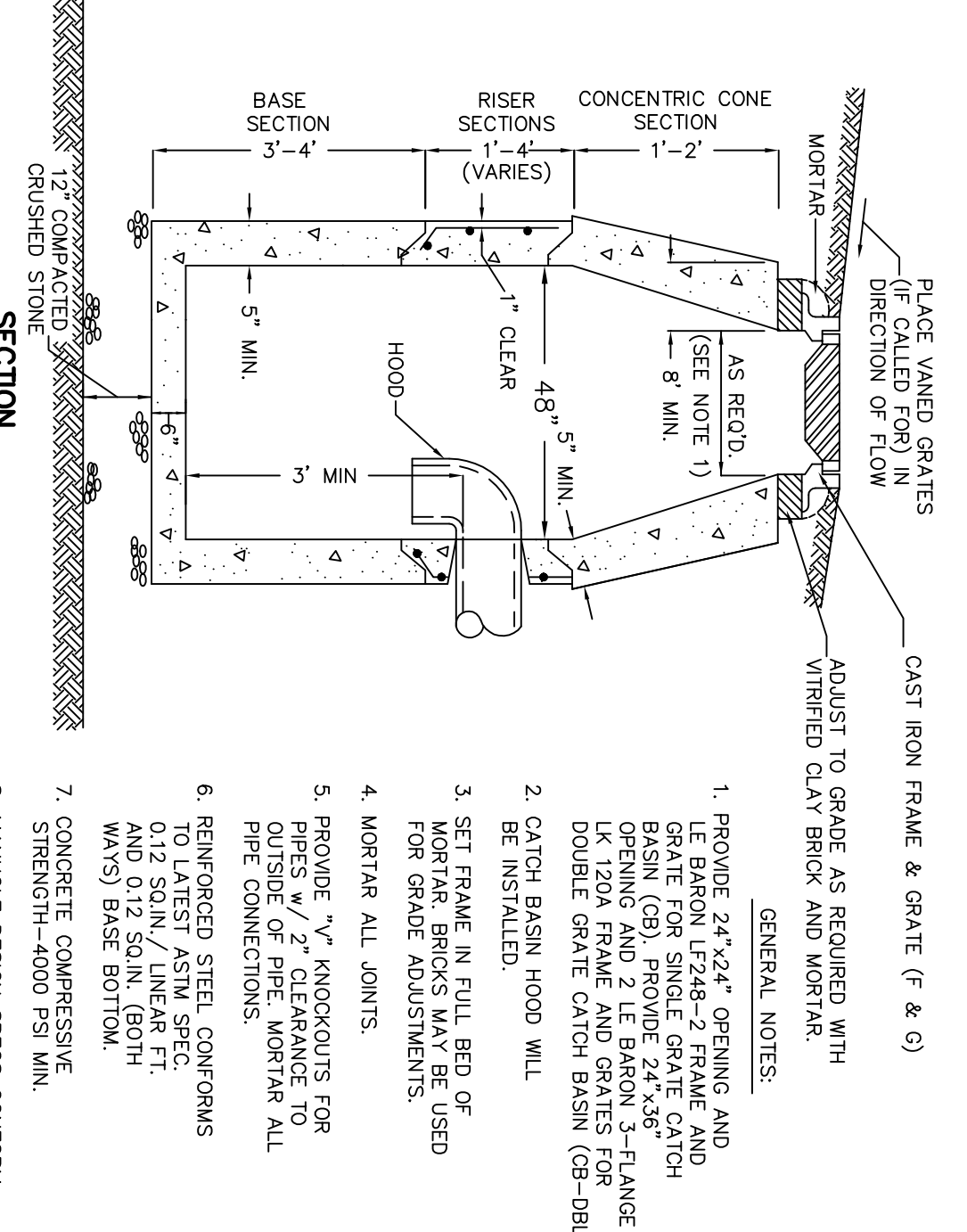
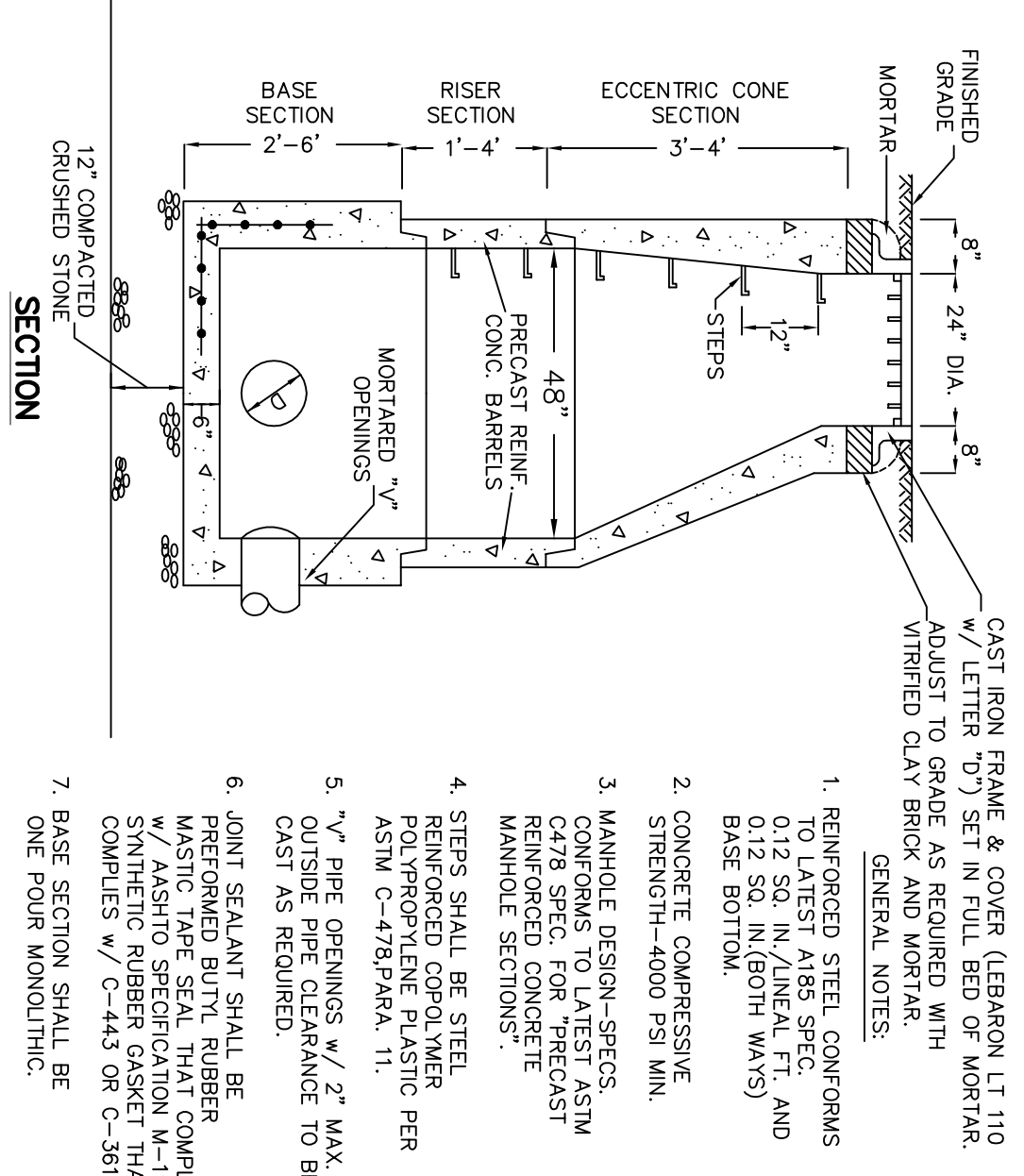
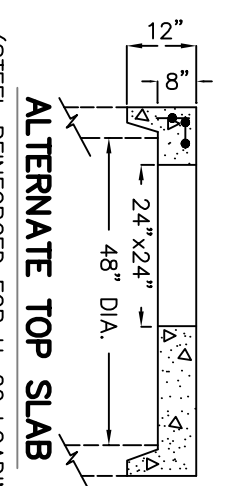
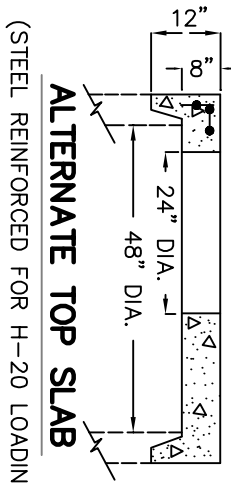


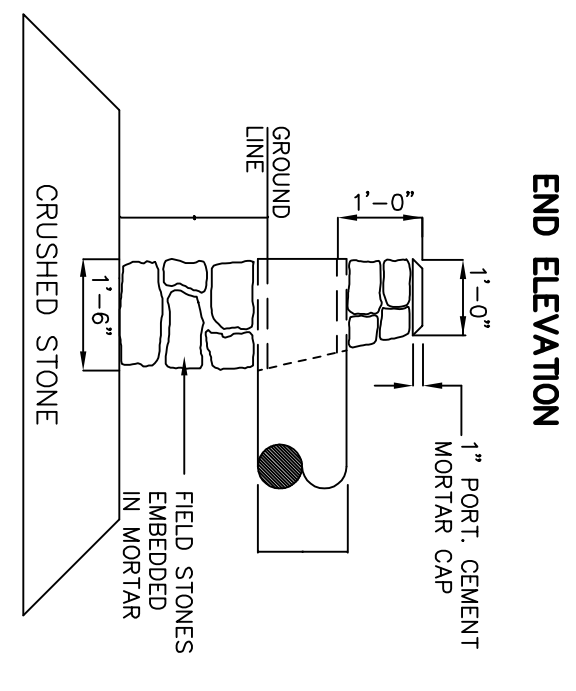
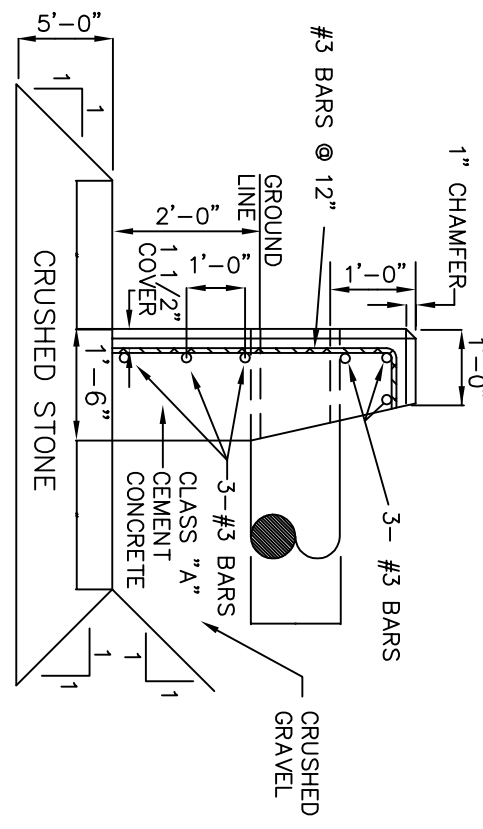
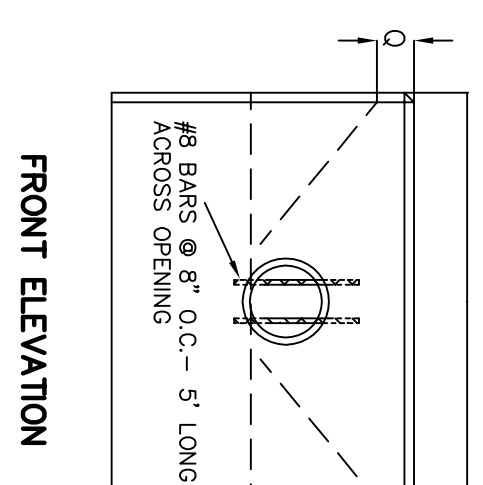
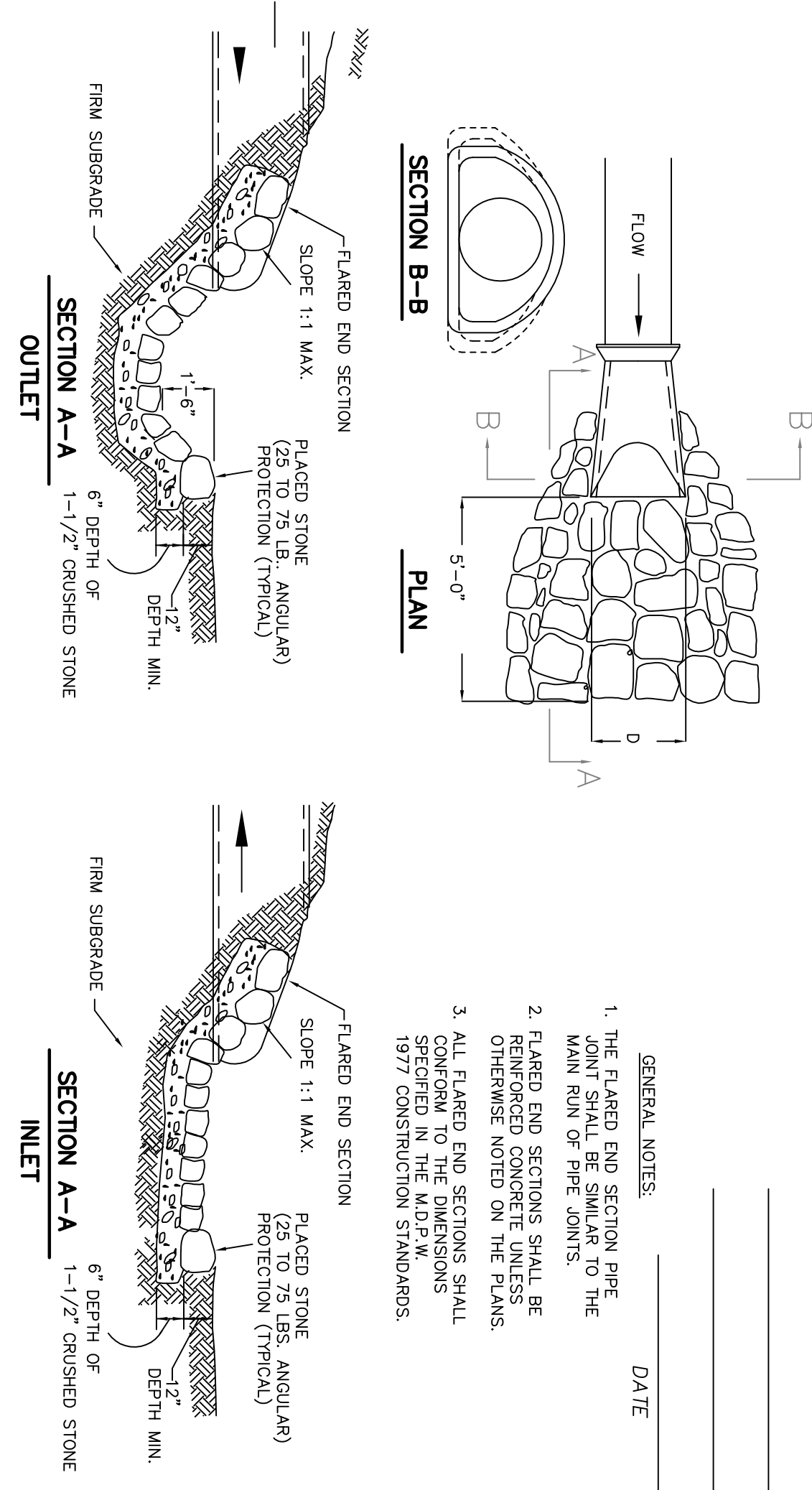
REV.	



48" DIAMETER PRECAST DRAIN MANHOLE (DMH) FOR PIPE DIAMETERS UP TO 24" NOT TO SCALE

CATCH BASIN (CB) NOT TO SCALE

FLARED END SECTION (FES) AND STILLING BASIN NOT TO SCALE

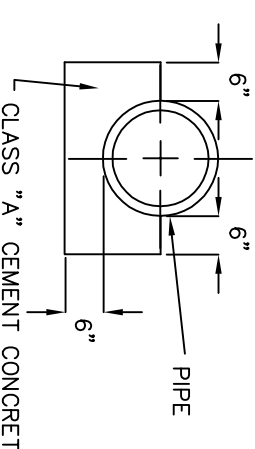


PIPE DIA. FT.	CONCRETE QUANTITY CU. YD.	CAST IRON FRAME & COVER WEIGHT LBS.	CAST IRON FRAME & COVER WEIGHT CU. FT.
12"	1.51	21	0.12
15"	1.68	21	0.12
18"	1.84	21	0.12
21"	2.00	21	0.12
24"	2.16	21	0.12
27"	2.32	21	0.12
30"	2.48	21	0.12
33"	2.64	21	0.12
36"	2.80	21	0.12
39"	2.96	21	0.12
42"	3.12	21	0.12
45"	3.28	21	0.12
48"	3.44	21	0.12
51"	3.60	21	0.12
54"	3.76	21	0.12
57"	3.92	21	0.12
60"	4.08	21	0.12
63"	4.24	21	0.12
66"	4.40	21	0.12
69"	4.56	21	0.12
72"	4.72	21	0.12
75"	4.88	21	0.12
78"	5.04	21	0.12
81"	5.20	21	0.12
84"	5.36	21	0.12
87"	5.52	21	0.12
90"	5.68	21	0.12
93"	5.84	21	0.12
96"	6.00	21	0.12
99"	6.16	21	0.12
102"	6.32	21	0.12
105"	6.48	21	0.12
108"	6.64	21	0.12
111"	6.80	21	0.12
114"	6.96	21	0.12
117"	7.12	21	0.12
120"	7.28	21	0.12
123"	7.44	21	0.12
126"	7.60	21	0.12
129"	7.76	21	0.12
132"	7.92	21	0.12
135"	8.08	21	0.12
138"	8.24	21	0.12
141"	8.40	21	0.12
144"	8.56	21	0.12
147"	8.72	21	0.12
150"	8.88	21	0.12
153"	9.04	21	0.12
156"	9.20	21	0.12
159"	9.36	21	0.12
162"	9.52	21	0.12
165"	9.68	21	0.12
168"	9.84	21	0.12
171"	10.00	21	0.12
174"	10.16	21	0.12
177"	10.32	21	0.12
180"	10.48	21	0.12
183"	10.64	21	0.12
186"	10.80	21	0.12
189"	10.96	21	0.12
192"	11.12	21	0.12
195"	11.28	21	0.12
198"	11.44	21	0.12
201"	11.60	21	0.12
204"	11.76	21	0.12
207"	11.92	21	0.12
210"	12.08	21	0.12
213"	12.24	21	0.12
216"	12.40	21	0.12
219"	12.56	21	0.12
222"	12.72	21	0.12
225"	12.88	21	0.12
228"	13.04	21	0.12
231"	13.20	21	0.12
234"	13.36	21	0.12
237"	13.52	21	0.12
240"	13.68	21	0.12
243"	13.84	21	0.12
246"	14.00	21	0.12
249"	14.16	21	0.12
252"	14.32	21	0.12
255"	14.48	21	0.12
258"	14.64	21	0.12
261"	14.80	21	0.12
264"	14.96	21	0.12
267"	15.12	21	0.12
270"	15.28	21	0.12
273"	15.44	21	0.12
276"	15.60	21	0.12
279"	15.76	21	0.12
282"	15.92	21	0.12
285"	16.08	21	0.12
288"	16.24	21	0.12
291"	16.40	21	0.12
294"	16.56	21	0.12
297"	16.72	21	0.12
300"	16.88	21	0.12

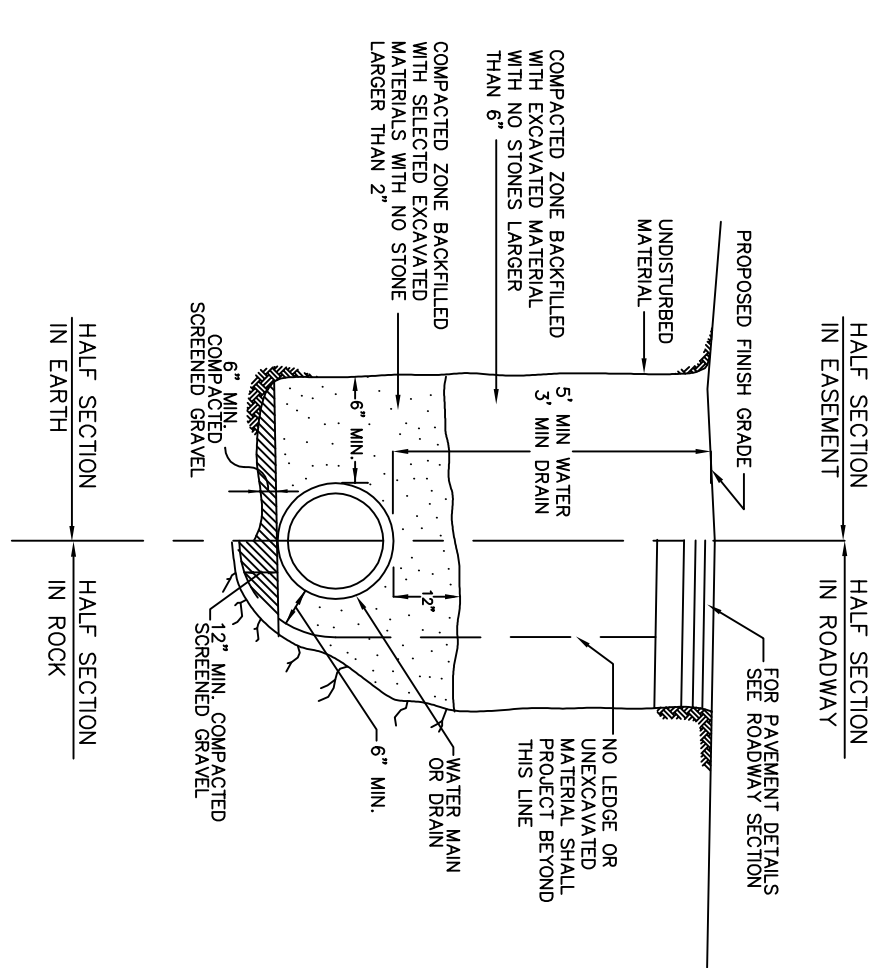
NOTE: 1. ALL DIMENSIONS AND QUANTITIES SHOWN ARE MINIMUM.

TYPICAL CONCRETE AND FIELD STONE MASONRY HEADWALLS FOR 12" TO 30" PIPE CULVERTS NOT TO SCALE

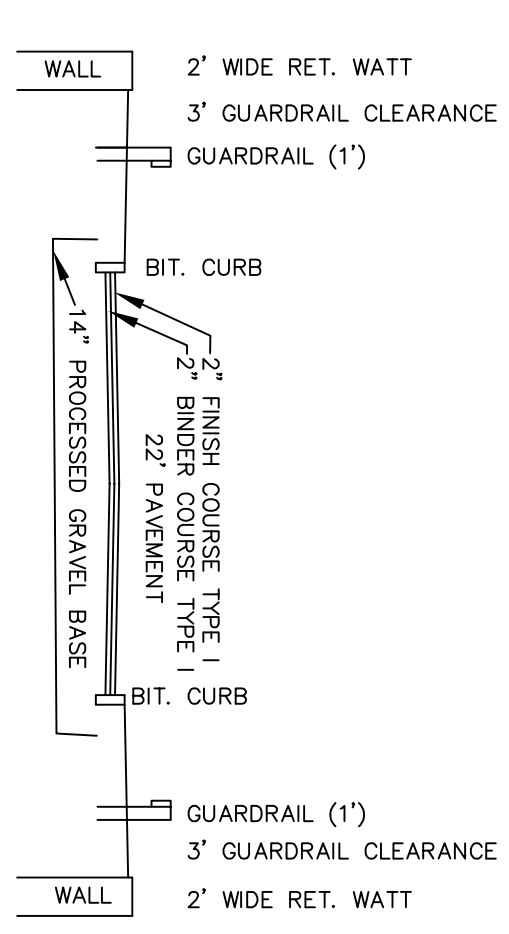
CONCRETE GRADE FOR PIPE CULVERTS



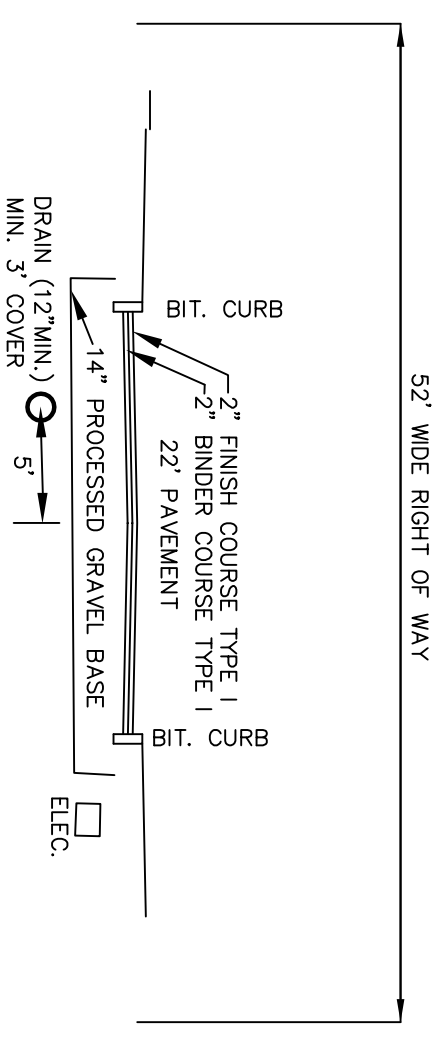
WATER MAIN AND DRAIN TRENCH DETAILS NOT TO SCALE



ROADWAY SECTION AT WETLAND CROSSING NOT TO SCALE



TYPICAL ROADWAY SECTION NOT TO SCALE



FOR REGISTRY USE ONLY